

EMINENT

ELECTRIC WATER HEATER

E - R - CU



Design

EMINENT is available with three different types of corrosion resistant lining material in the water tank; copper, enamel or stainless steel. The type of anticorrosive lining used in the tank is determined by the type of water used in the tank.

Copper –

The water tank consists of a steel vessel, with a copper lining to protect against corrosion.

Enamel -

The water tank consists of a steel vessel, with an enamel lining to protect against corrosion. The enamel lining is protected by a sacrificial anode which is located at the top of the vessel for easy access.

Stainless steel –

The water tank consists of a stainless steel vessel, (EN 1.4521) which is precision welded and then pickled in an acid bath to ensure a high-quality finish.

The outer casing of EMINENT is made from powder coated sheet steel with impact resistant plastic top/bottom.

The pressure vessel is designed and manufactured, in accordance with current pressure vessel standards (PED 97/23 EC § 3.3), for a maximum working pressure of 9 bar (0.9 MPa), which is the equivalent to a design pressure of 10 bar (1.0 MPa).

The water tank's seamless, flame-resistant, blow-moulded polyurethane foam insulation provides an excellent heat insulation.

Installation

Install the water heater by mounting it vertically with the connections downwards or horizontally on the adjustable attachment.

Use the supplied mounting brackets for vertical installation. Screw the brackets into place first. Then mount the heater on the brackets.

A complete set of valves, consisting of a mixer valve, shut-off valve, non-return valve, safety valve and drain valve, are factory fitted.

When mounting the heater, be sure to leave sufficient room for inspection of the electrical equipment, see the Dimensions section.

When installing the EMINENT E, also ensure that there is enough room to allow for regular inspection of the sacrificial anode.

Electrical equipment

The water heater's connecting cable is equipped with a plug for an earthed single-phase socket. The socket must be positioned for easy access.

Single-phase installation (1 kW) offers the least surface load on the immersion heater and thus a longer life. A two-phase installation (3 kW) will give faster heating.

The flanged, stainless steel (Alloy 254 SMO) immersion heater in a Ø 80 mm connection opening allows for simple dismantling and internal inspection of the vessel.

Adjustable thermostatic control to 80 °C.

Water heaters for
weekend cottages
and houses

ENAMEL
COPPER
STAINLESS STEEL

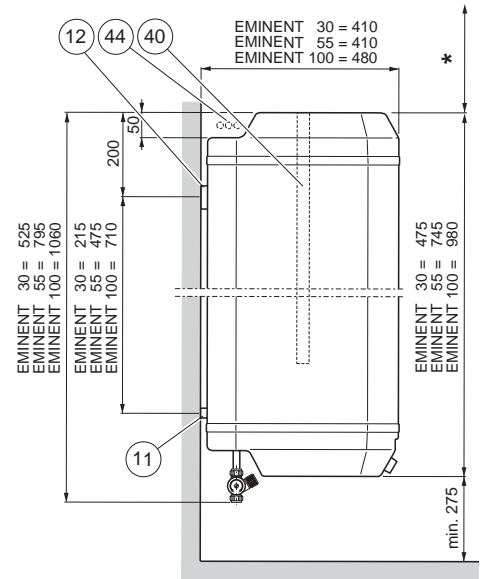
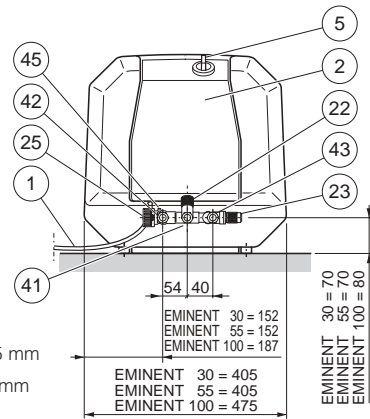
The advantages of
EMINENT

effective,
pro-environmental insulation
quick and simple
to install,
vertically or horizontally
best performance
and safety



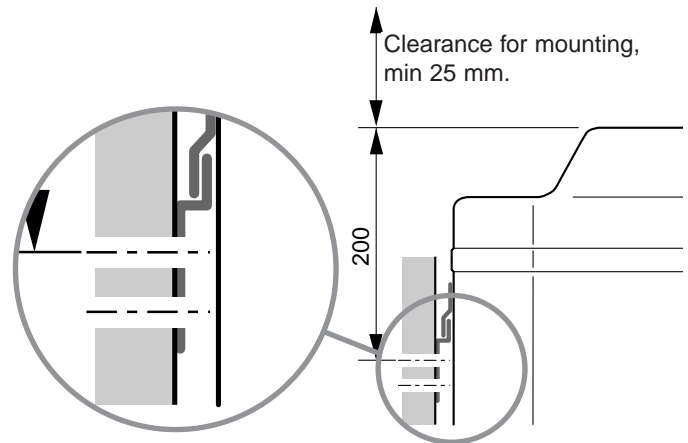
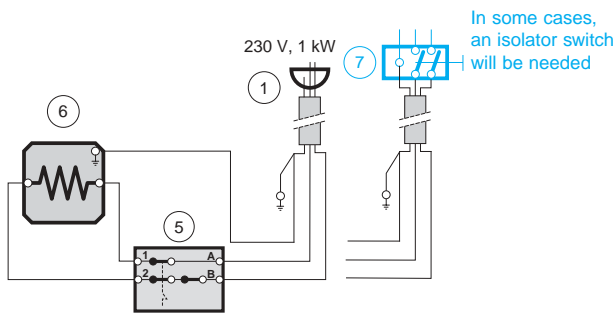
Dimensions and equipment

- 1 Connection cable
- 2 Cover, electrical connection box
- 5 Combined temperature limiter and thermostat, 5 – 80°C
- 6 Immersion heater 3 kW, RAR 14-112
- 7 Fully isolated circuit-breaker (not supplied).
- 11 Base (adjustable)
- 12 Mounting device
- 22 Shut-off and non-return valve
- 23 Safety valve, drain valve
- 25 Mixer valve
- 40 Sacrificial anode *
- 41 Cold water connection, compression ring coupling Ø 15 mm
- 42 Hot water connection, compression ring coupling Ø 15 mm
- 43 Drain pipe connection from safety valve/draining compression ring coupling Ø 15 mm
- 44 Space for pipes
- 45 Venting screw (for air supply when draining)



* Only in the EMINENT E. Be sure to leave sufficient room for inspection, see "Anode length" in the table below.

Electrical circuit diagram



Technical specifications

Volume	(litres)	30	55	100
Voltage		400V~ two-phase or 230V		
Enclosure class		IP 24		
Power	(kW)	1 – 3	1 – 3	1 – 3
Fuses required at 1.0/3.0 kW	(A)	6/10	6/10	6/10
Heat content at 80 °C	(kWh)	2.4	4.5	8.1
Heating-up time to 45 °C at 1.0/3.0 kW	(hours)	1.2/0.4	2.3/0.8	4.1/1.4
Heating-up time to 80°C at 1.0/3.0 kW	(hours)	2.4/0.8	4.5/1.5	8.1/2.7
Net weight EMINENT CU	(kg)	24	34	49
Anode length (only for the EMINENT E)	(mm)	165	285	430
Net weight EMINENT E	(kg)	22	32	47
Net weight EMINENT R	(kg)	19	26	41
Pressure vessel		PED 97/23 EC § 3.3		



We reserve the right to make changes in design and dimensions without prior notice.

NIBE AB
Sweden

Box 14
Järnvägsgatan 40
SE-285 21 MARKARYD

Tel: +46 - (0)433-73 000
Fax: +46 - (0)433-73 190

www.nibe.com

